

INLGDO5IRWA

5 MP Smart IR Autofocus Dome Network Camera

- High quality image with 5MP, 1/2.7" CMOS sensor
- H.265+ & H.264+ encoding
- Smart IR, up to 40m (131ft) IR distance
- Smart Features: Intrusion, Human Detection and more
- 120dB true WDR technology
- Alarm I/O - 1/1
- Audio I/O - 1/1
- Supports Micro SD Card, up to 256GB

Unify your Security Solution

You asked, we listened. Tailored especially for you, Legend is our **fully NDA compliant brand**. It offers our latest technologies in a robust build with edge storage capacity. Legend by Inaxsys provides H.265+ compression and easy installation.

Wide Dynamic Range

This camera offers vivid imaging in any scenario. Using industry-leading WDR technology, you'll be able to capture the subject in the most difficult lighting conditions.

On-board Analytics

This camera responds accurately to specific events in a given area. Our algorithm enables Human detection, intrusion detection, motion detection and much more. Facilitate your viewing experience using on the edge analytics – one product, multiple features.



**NDA
Compliant**



*Design and specifications are subjects to change without notice.



INLGDO5IRWA

5 MP Smart IR Autofocus Dome Network Camera

Product Specifications

Camera					
Image Sensor	1/2.7", 5 Megapixel, progressive scan, CMOS				
Scanning System	Progressive				
Electronic Shutter Speed	Auto/Manual, 1~1/100,000 s				
Minimum Illumination	Colour: 0.002 lux (F1.2, AGC ON) 0 lux with IR				
Wide Dynamic Range	120dB				
S/N Ratio	More than 56dB				
IR Distance	Distance up to 40m (131ft)				
Wavelength	850nm				
IR On/Off Control	Auto/Manual				
Camera Features					
Day/Night	IR-cut filter with auto switch (ICR)				
Backlight Compensation	Supported				
White Balance	Auto / Outdoor / Fine Tune / Sodium Lamp / Locked / Auto2				
Smart IR	Supported				
Flip	Normal / Vertical / Horizontal / 180° / 90° Clockwise / 90° Anti-clockwise				
HLC	Supported				
Defog	Digital Defog				
OSD	Up to 8 OSDs				
Privacy Mask	Up to 4 areas				
Region of Interest	Up to 8 areas				
Lens					
Lens Type	Motorized Lens				
Focal Length	2.7mm ~ 13.5mm				
Viewing Angle	H: 106.25°~ 30.42°; V: 56.36°~ 17.22°; O: 110.34°~34.18°				
Pan/Tilt/Rotate	Pan: 0° ~ 355°; Tilt: 0 ~ 80°; Rotate: 0 ~ 355°				
DORI Distance	Lens (mm)	Detect (m)	Observe (m)	Recognize (m)	Identify (m)
	2.7	60.8	24.3	12.2	6.1
	13.5	303.8	121.5	60.8	30.4
Video					
Compression	H.265+, H.265, H.264, MJPEG				
H.264 code profile	Baseline Profile, Main Profile				
Frame Rate	Main Stream: 5MP (2880x1620), Max 30fps; 4MP (2560x1440), Max 30fps; 3MP (2304x1296), Max 30fps; 1080P (1920x1080), Max 30fps;				
	Sub Stream: 720P (1280x720), Max 30fps; D1 (720x576), Max 30fps; 640x360, Max 30fps;				
	Third Stream: D1 (720x576), Max 30fps; 640x360, Max 30fps; 2CIF(704x288), Max 30fps; CIF(352x288), Max 30fps;				
Video Bit Rate	128 Kbps~16 Mbps				
U-code	Supported				
Streaming	Triple streams				

*Design and specifications are subjects to change without notice.



INLGDO5IRWA

5 MP Smart IR Autofocus Dome Network Camera

Product Specifications

Network	
Ethernet	1 RJ45 10M/100M Base-TX Ethernet
Protocol	IPv4, IPv6, IGMP, ICMP, ARP, TCP, UDP, DHCP, PPPoE, RTP, RTSP, RTCP, DNS, DDNS, NTP, FTP, UPnP, HTTP, HTTPS, SMTP, 802.1x, SNMP, QoS, RTMP, SSL / TLS, SSH
Compatibility	ONVIF (Profile S, Profile G, Profile T), API, SDK
User/Host	Up to 32 users. 2 user levels: administrator and common user
Security	Password protection, Strong password, HTTPS encryption, Export operation logs, Basic and digest authentication for RTSP, Digest authentication for HTTP, TLS 1.2, WSSE and digest authentication for ONVIF
VMS Platform	Legend VMS, Arkiv
Web Browser	Plug-in required live view: IE 10 and above, Chrome 45 and above, Firefox 52 and above, Edge 79 and above
	Plug-in free live view: Chrome 57.0 and above, Firefox 58.0 and above, Edge 16 and above
Intelligent Functions	
Smart Intrusion Detection	Supports false alarm filtering: Line crossing detection, Intrusion detection, Enter Area detection, Leave Area detection
Statistic Analysis	People counting, supports people flow counting and crowd density monitoring
Basic Detection	Motion detection, Ultra motion detection, Tampering alarm, Audio detection
General Function	Watermark, IP address filtering, tampering alarm, alarm input, alarm output, access policy, ARP protection, RTSP authentication, user authentication
Audio	
Audio I/O	Input: impedance 35kΩ; amplitude 2V [p-p]
	Output: impedance 600Ω; amplitude 2V [p-p]
Built-in Microphone	Supported
Audio Compression	G.711
Audio Bitrate	64 Kbps
Two-way audio	Supported
Suppression	Supported
Sampling Rate	8KHZ
Alarm	
Alarm I/O	1/1
Storage	
Edge Storage	Micro SD card, up to 256GB
Network Storage	ANR, NAS(NFS)

*Design and specifications are subjects to change without notice.

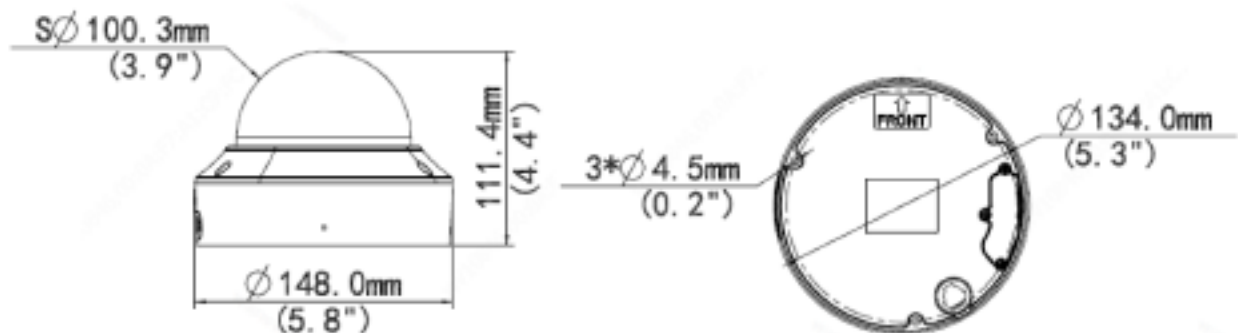


INLGDO5IRWA

5 MP Intelligent IR Varifocal Dome Network Camera

Product Specifications

Certifications	
EMC	CE-EMC (EN 55032: 2015+A1:2020,EN 61000-3-3: 2013+A1: 2019,EN IEC 61000-3-2: 2019+A1: 2021,EN 55035: 2017+A11:2020) FCC (FCC CFR 47 part15 B, ANSI C63.4-2014)
Safety	CE LVD (EN 62368-1:2014+A11:2017) CB (IEC 62368-1:2014) UL (UL 62368-1, 2nd Ed., Issue Date: 2014-12-01)
Environment	CE-RoHS (2011/65/EU;(EU)2015/863); WEEE (2012/19/EU); Reach (Regulation (EC) No 1907/2006)
Protection	IP67 (IEC 60529:1989+AMD1:1999+AMD2:2013) IK10 (IEC 62262:2002)
General	
Power Supply	DC 12V±25%, PoE (IEEE 802.3af)
Power Consumption	Less than 7W
Operating Temperature	-40 °C to 50 °C (-40 °F to 122 °F) RH: Less than 95% RH (non-condensing)
Start-up Temperature	-30 °C to 50 °C (-22 °F to 122 °F)
Weight	0.97kg (2.12lb)
Dimensions	Φ148.0 x 111.4mm (Ø5.8" x 4.4")



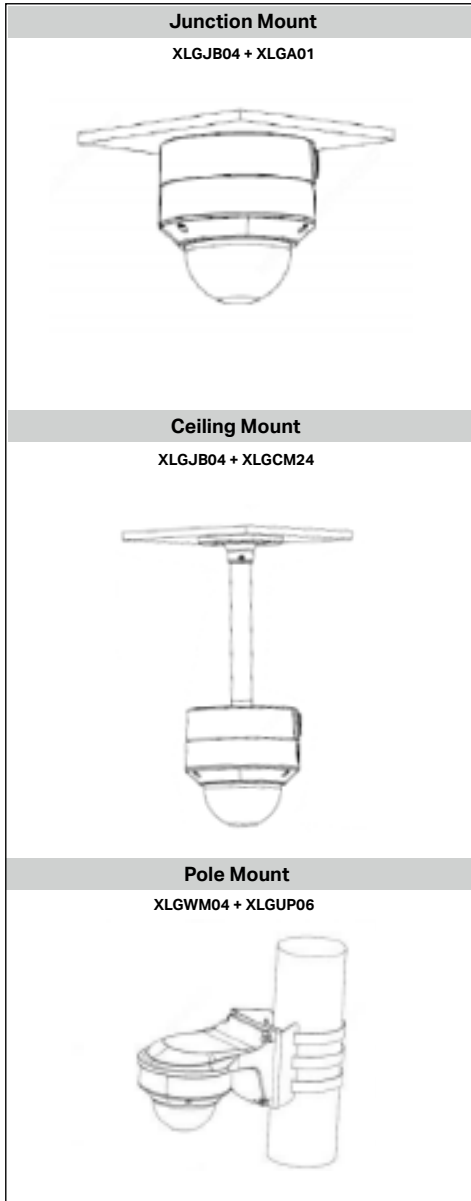
*Design and specifications are subjects to change without notice.



INLGDO5IRWA

5 MP Intelligent IR Varifocal
Dome Network Camera

Product Specifications



XLGJB04
Junction Box



XLGA01
Waterproof Joint



XLGJB07/WM04-B
Wall Mount Combo



XLGCM24
Ceiling Mount



XLGWM04
Wall Mount



VUSD256G
Micro SD Card



XLGUP06
Pole Mount

*Design and specifications are subjects to change without notice.

